



- SMD small & thin package
- Wide capacitance range
- Washable and non-washable types available
- Plus slot(+) suitable for auto-adjustment

- AV Equipment
- Cellular Phone
- Cordless Phone
- TCXO
- Keyless Entry

CTZ3 S - 05 A - W 1 - P F
 ① ② ③ ④ ⑤ ⑥ ⑦ ⑧

① Series

CTZ3 Series
CTZ2 Series

② Type

Reflow non washable type
Reflow washable type

③ Maximum Capacitance

3pF	30pF
5pF	40pF
10pF	50pF
20pF	

④ Temperature Coefficient (ppm/°C)

NPO±500	N750±500
N400±500	

⑤ Packaging

W Direction Taping
X Direction Taping
Bulk

⑥ Taping Quantity (Unit : pcs)

1,000	CTZ3 Series
2,000	CTZ2 Series

⑦ Pin Head Type

Plus Slot

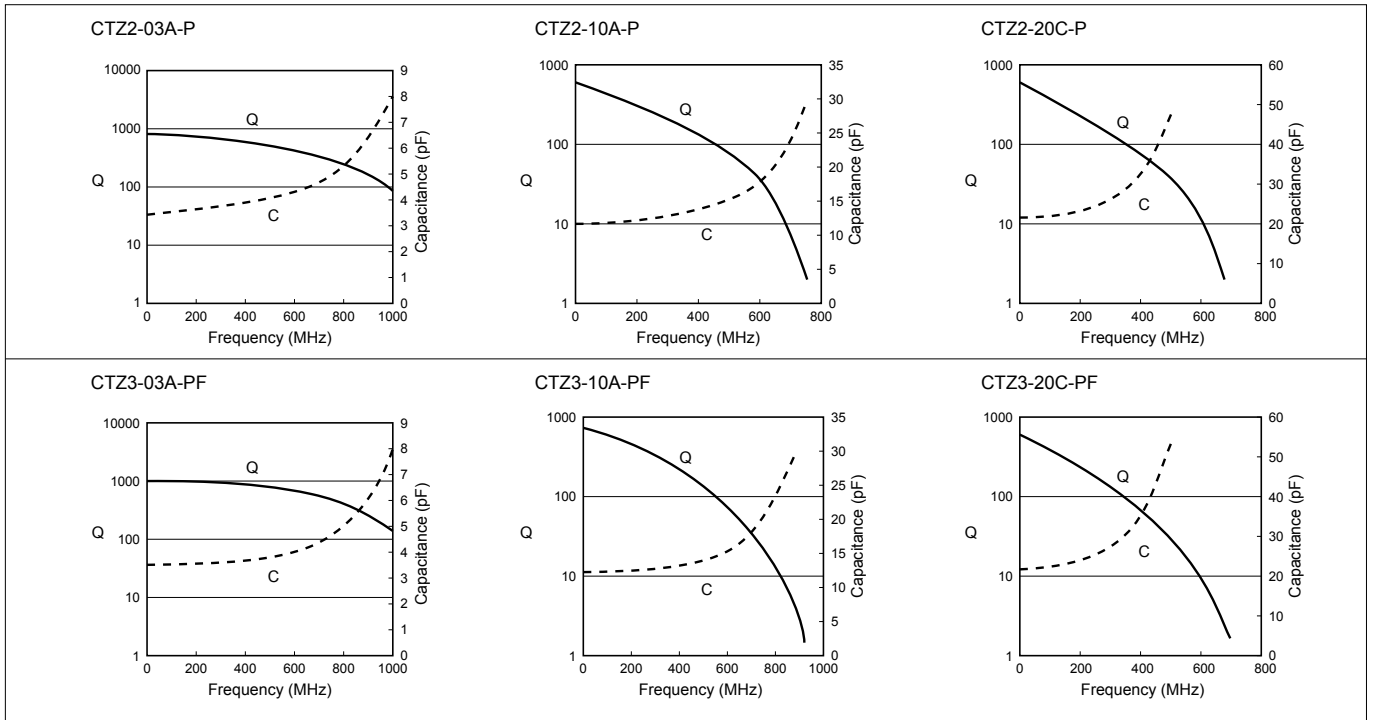
⑧ Lead Specification

Lead Forming Type (CTZ3 type)

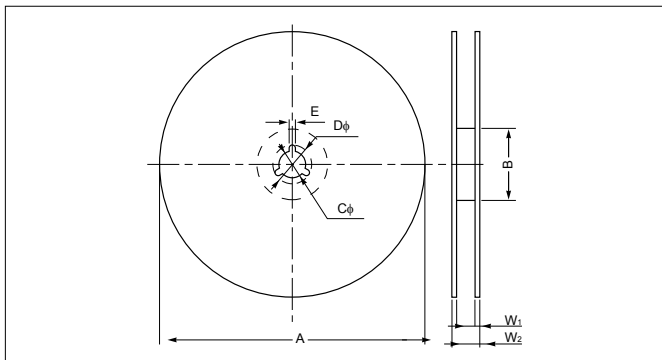
* ⑧ is denoted by space for CTZ2 series.

				±	
	3	+100% -0%	2.0max.	≥150	NPO±500
	5	+100% -0%	3.0max.	≥150	NPO±500
	10	+100% -0%	3.0max.	≥150	NPO±500
	20	+100% -0%	5.5max.	≥150	N750±500
	3	+100% -0%	1.0max.	≥300	NPO±500
	5	+100% -0%	1.5max.	≥300	NPO±500
	10	+100% -0%	2.5max.	≥300	NPO±500
	10	+100% -0%	1.5max.	≥300	N400±500
	20	+100% -0%	4.5max.	≥300	N750±500
	30	+100% -0%	4.5max.	≥300	N750±500
	40	+100% -0%	4.5max.	≥300	N750±500
	50	+100% -0%	4.5max.	≥200	N750±500

	25	-40 to +85	≥10 ⁴	10 to 150	
	25	-40 to +85	≥10 ⁴	10 to 150	

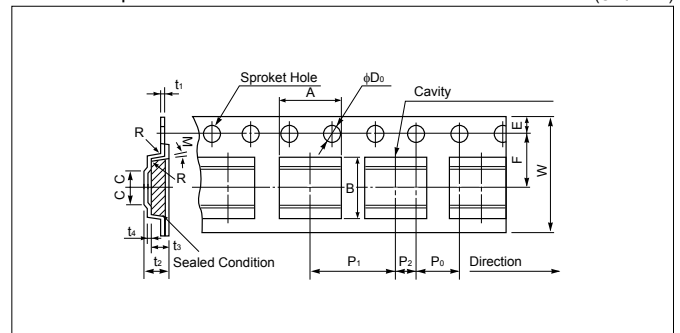


• Reel



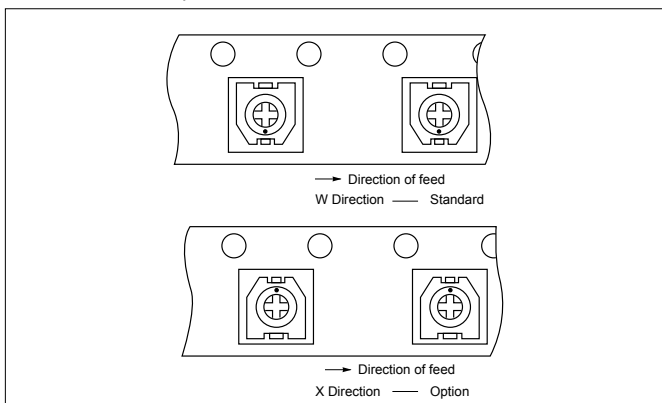
• Carrier Tape

(Unit : mm)



• Tape Loading

W Direction — Standard
X Direction — Option



	2.7±0.1	3.35±0.1
	3.2±0.1	4.6 ^{+0.2} _{-0.0}
	12.0±0.3	12.0±0.3
	5.5±0.05	5.5±0.05
	1.75±0.1	1.75±0.1
	4.0±0.1	4.0±0.1
	4.0±0.1	8.0±0.1
	2.0±0.05	2.0±0.05
φ	1.5 ^{+0.1} _{-0.0}	1.5 ^{+0.1} _{-0.0}
	0.3±0.1	0.3±0.1
	1.9±0.1	2.5±0.1
	1.3 ^{+0.15} _{-0.0}	2.0±0.1
	0.3±0.1	0.3±0.05
	2.06±0.1	2.7±0.1

(Unit : mm)

	180 ^{+0.0} _{-3.0}	60.0 ^{+1.0} _{-0.0}	13.0±0.2	21.0±0.8	2.0±0.5	13.0±0.3	15.4±1.0
--	-------------------------------------	--------------------------------------	----------	----------	---------	----------	----------

